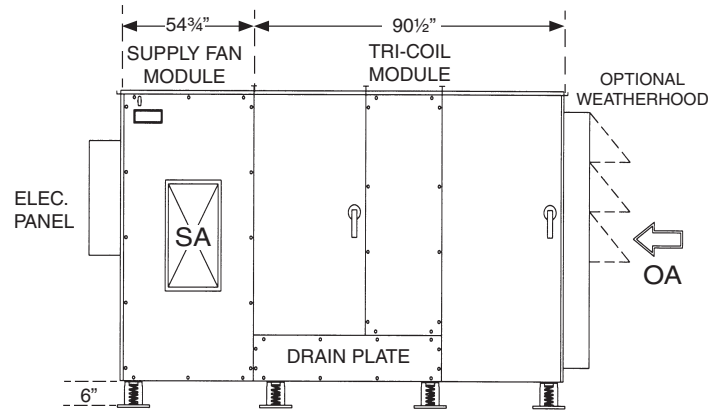
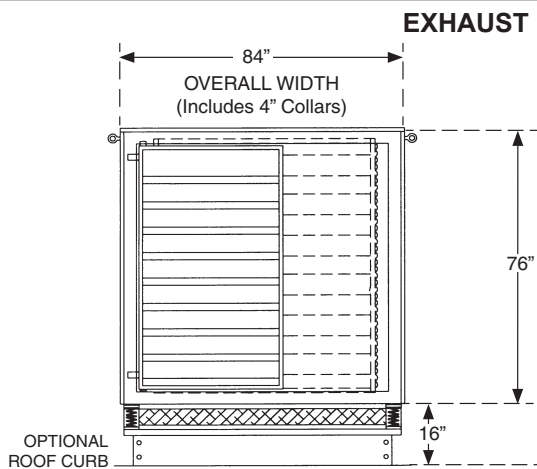


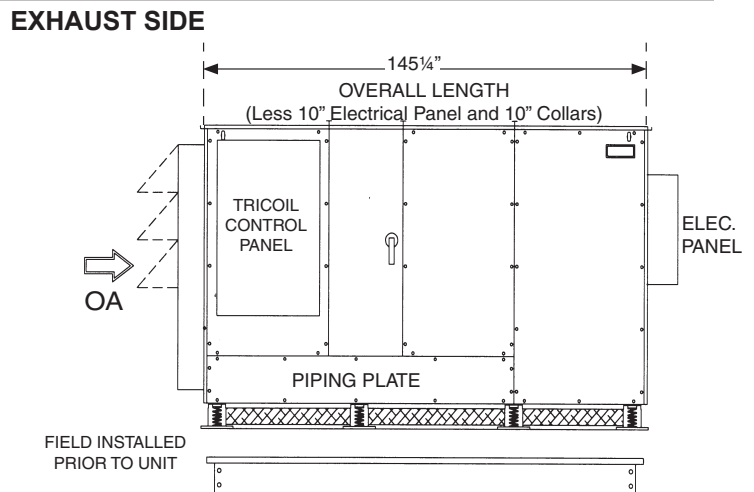
SUPPLY END



SUPPLY SIDE



EXHAUST END



EXHAUST SIDE

SUPPLY FAN PERFORMANCE AND MOTOR SELECTION GUIDE

(Intersect CFM with external static pressure to determine fan h.p.)

CFM	OUTLET VEL. FPM		0.5 ESP	1.0 ESP	1.5 ESP	2.0 ESP	2.5 ESP	3.0 ESP	3.5 ESP
9000	2148	RPM	1142	1198	1251	1251	1304	1354	N/A
		BHP	5.8	6.61	7.42	7.42	8.28	9.15	
		hp	7.5	10	10	10	10	15	
9250	2208	RPM	1181	1234	1287	1338	1387	N/A	N/A
		BHP	6.41	7.21	8.07	8.95	9.85		
		hp	7.5	10	10	15	15		
9500	2267	RPM	1217	1269	1320	1370	N/A	N/A	N/A
		BHP	7	7.84	8.71	9.62			
		hp	10	10	15	15			
9750	2327	RPM	1244	1295	1344	1393	N/A	N/A	N/A
		BHP	7.49	8.35	9.22	10.14			
		hp	10	10	15	15			
10000	2387	RPM	1275	1325	1373	N/A	N/A	N/A	N/A
		BHP	8.06	8.95	9.84				
		hp	10	10	15				

hp	208	240	480
7.5	21.0	19.0	9.5
10	27.3	24.7	12.3
15	41.0	38.0	19.0

	208	240	480
Damper Motor (ea.)	0.75	0.75	0.50
TRICOIL Pump Motor	6.00	6.00	6.00
Hot Water Modulating Ball-Valve	0.20	0.20	0.10
Temperature Sensor (ea.)	0.50	0.50	0.25
Lights and Receptical	12.00	12.00	6.00
Variable Frequency Drive for Fan (ea.)	0.50	0.50	0.25
Variable Frequency Drive for TRICOIL	0.25	0.25	0.15

Performance numbers are based on optimum conditions. Consult factory for precise performance.