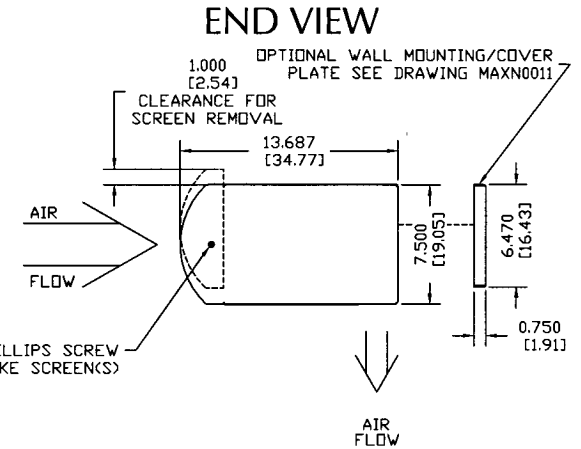
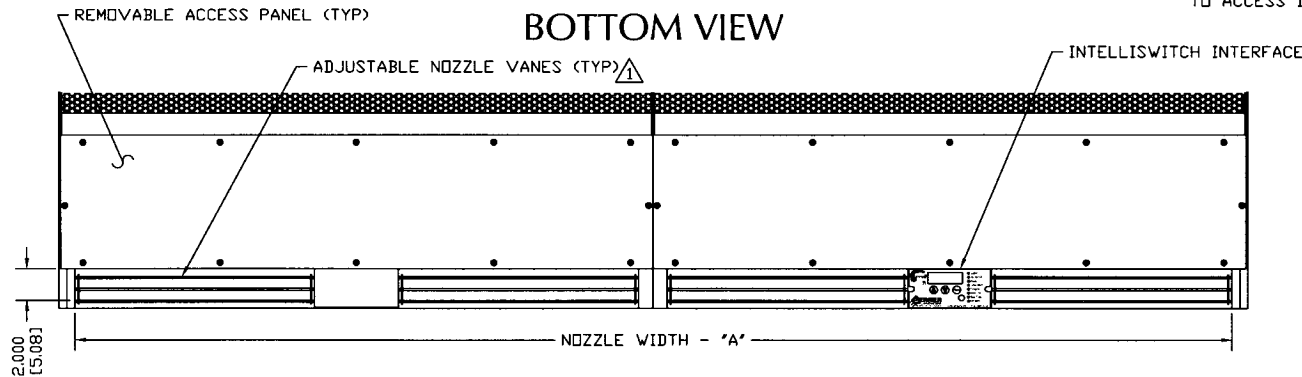
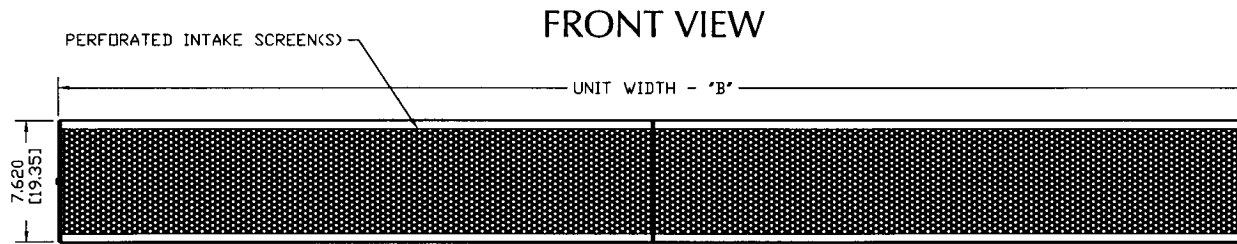
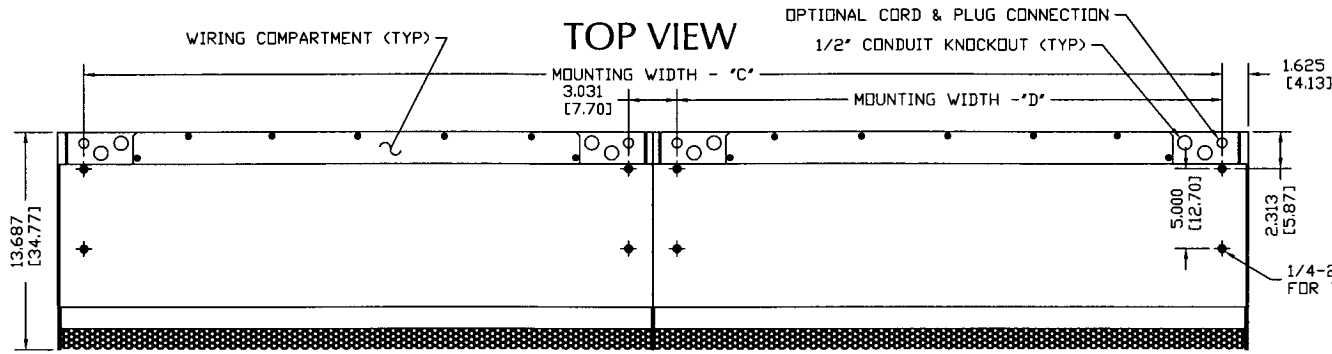


# MAXAIR ELECTRIC HEATED



## NOTES:

- ① AIR CURTAIN MUST BE INSTALLED SO AIR STREAM IS NOT OBSTRUCTED WHEN DEFLECTED 20° TO EITHER SIDE OF  $\text{C}$ .
- ② ELECTRICAL CONNECTIONS TO BE FLEXIBLE.
- ③ FIELD VERIFY DIMENSIONS.
- ④ ANCHORS TO SUPPORTING STRUCTURE BY OTHERS.
- ⑤ ADEQUACY OF SUPPORTING STRUCTURE IS TO BE VERIFIED BY A PROFESSIONAL STRUCTURAL ENGINEER.
- ⑥ LETTER "E" IN MODEL NUMBER DESIGNATES ELECTRIC HEATED UNIT.
- ⑦ DIMENSIONS IN INCHES [CENTIMETERS].

| MODEL ⑥  | NOZZLE WIDTH "A" | UNIT WIDTH "B"  | MOUNTING WIDTH "C" | MOUNTING WIDTH "D" |
|----------|------------------|-----------------|--------------------|--------------------|
| MAX1030E | 28.00 [71.12]    | 30.00 [76.20]   | 26.75 [67.95]      | -                  |
| MAX1036E | 35.25 [89.54]    | 37.25 [94.62]   | 34.00 [86.36]      | -                  |
| MAX1042E | 41.25 [104.78]   | 43.25 [109.86]  | 40.00 [101.60]     | -                  |
| MAX1048E | 47.25 [120.02]   | 49.25 [125.10]  | 46.00 [116.84]     | -                  |
| MAX1060E | 59.00 [149.86]   | 61.00 [154.94]  | 57.75 [146.69]     | -                  |
| MAX1072E | 72.25 [183.59]   | 74.25 [188.60]  | 71.00 [180.34]     | -                  |
| MAX2084E | 84.25 [213.00]   | 86.25 [219.08]  | 83.00 [210.82]     | 40.00 [101.60]     |
| MAX2096E | 96.25 [244.48]   | 98.25 [249.56]  | 95.00 [241.30]     | 44.00 [111.76]     |
| MAX2120E | 119.75 [304.17]  | 121.75 [309.25] | 118.50 [300.99]    | 57.75 [146.69]     |

|           |             |   |
|-----------|-------------|---|
| PROJECT   |             | TITLE: <b>BERNER</b>                          |
| LOCATION  |             | MODEL MAXAIR AIR CURTAIN                      |
| ARCHITECT |             | ELECTRIC HEATED SYSTEM                        |
| ENGINEER  |             |   |
| DWG. NO.  | ZPRR0036    |   |
| DATE      | 23FEB04     |   |
| BY        | A. Johnston |   |
| REPLACES  | 10MAR03     |   |
| BY        | D. Johnson  | BERNER INTERNATIONAL CORP.<br>NEW CASTLE, PA. |