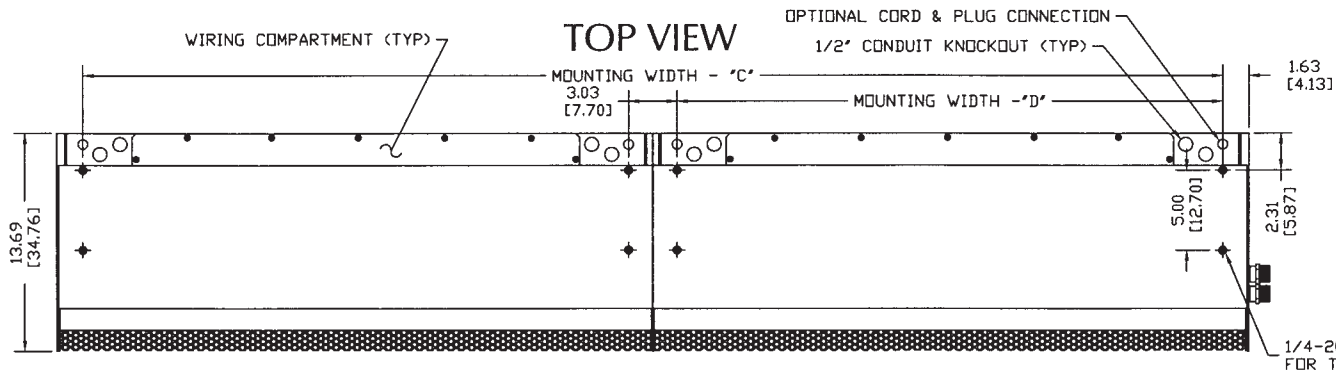
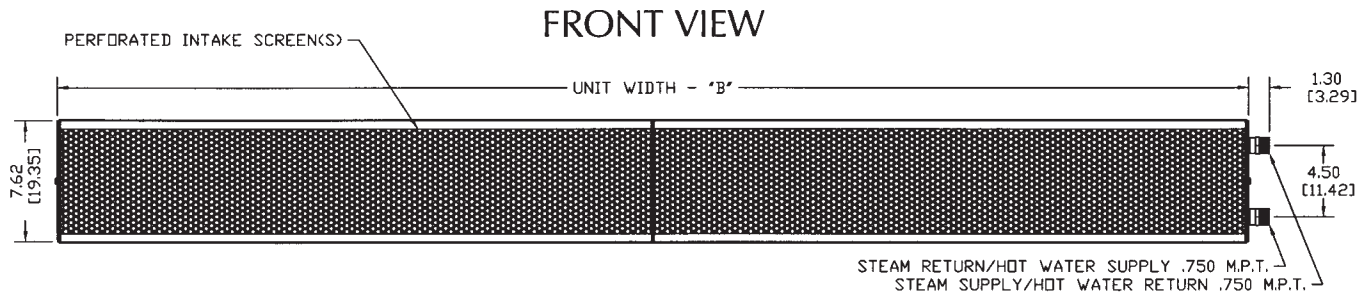


MAXAIR STEAM/HOT WATER SYSTEM

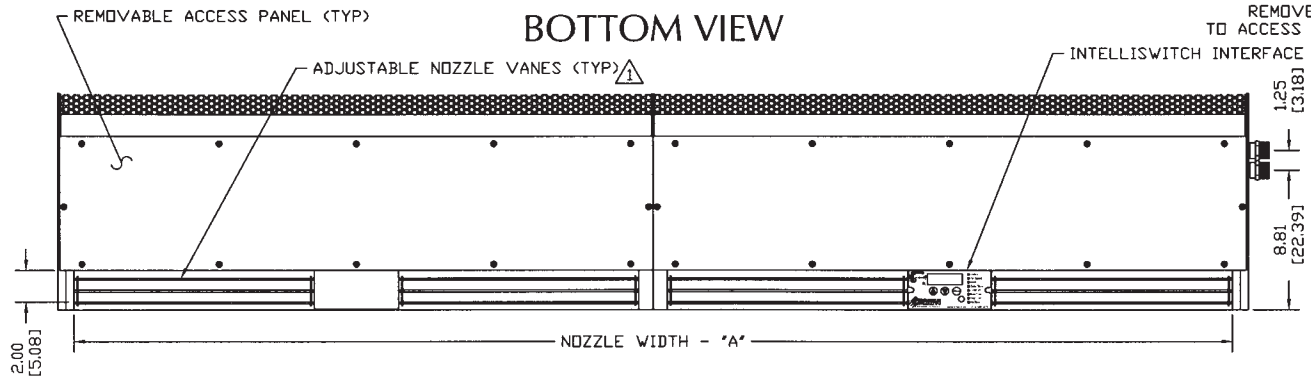
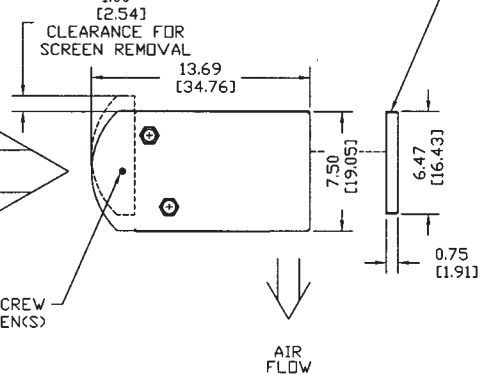


END VIEW

OPTIONAL WALL MOUNTING/COVER PLATE SEE DRAWING MAXN0011



AIR
FLOW



NOTES:

- 1 AIR CURTAIN MUST BE INSTALLED SO AIR STREAM IS NOT OBSTRUCTED WHEN DEFLECTED 20° TO EITHER SIDE OF C.
- 2 ELECTRICAL CONNECTIONS TO BE FLEXIBLE.
- 3 FIELD VERIFY DIMENSIONS.
- 4 ANCHORS TO SUPPORTING STRUCTURE BY OTHERS.
- 5 ADEQUACY OF SUPPORTING STRUCTURE IS TO BE VERIFIED BY A PROFESSIONAL STRUCTURAL ENGINEER.
- 6 REPLACE "*" WITH "S" FOR STEAM OR "W" FOR HOT WATER.
- 7 DIMENSIONS IN INCHES (CENTIMETERS).

MODEL	NOZZLE WIDTH "A"	UNIT WIDTH "B"	MOUNTING WIDTH "C"	MOUNTING WIDTH "D"
MAX1030*	28.00 [71.12]	30.00 [76.20]	26.75 [67.95]	-
MAX1036*	35.25 [89.54]	37.25 [94.62]	34.00 [86.36]	-
MAX1042*	41.25 [104.78]	43.25 [109.86]	40.00 [101.60]	-
MAX1048*	47.25 [120.02]	49.25 [125.10]	46.00 [116.84]	-
MAX1060*	59.00 [149.86]	61.00 [154.94]	57.75 [146.69]	-
MAX1072*	72.25 [183.59]	74.25 [188.60]	71.00 [180.34]	-
MAX2084*	84.25 [213.00]	86.25 [219.08]	83.00 [210.82]	40.00 [101.60]
MAX2096*	96.25 [244.48]	98.25 [249.56]	95.00 [241.30]	44.00 [111.76]
MAX2120*	119.75 [304.17]	121.75 [309.25]	118.50 [300.99]	57.75 [146.69]

PROJECT		
LOCATION		
ARCHITECT		
ENGINEER		
DWG. NO.	ZPRR0038	TITLE: BERNER
DATE	23FEB04	MODEL MAXAIR AIR CURTAIN
BY	A. Johnston	STEAM/HOT WATER SYSTEM
REPLACES	05JUN03	
BY	B. Peffer	BERNER INTERNATIONAL CORP. NEW CASTLE, PA.