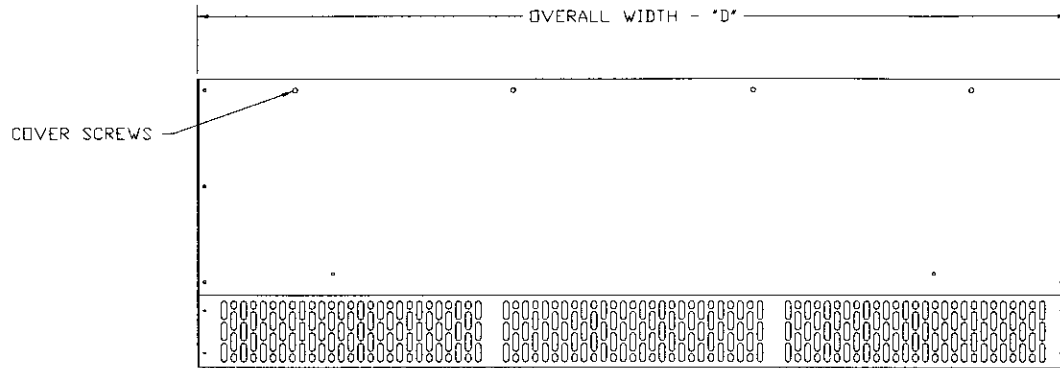




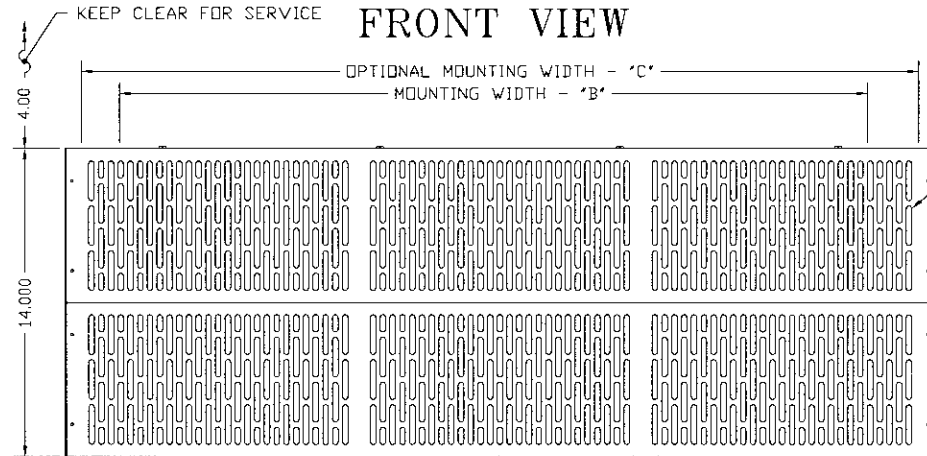
TOP VIEW



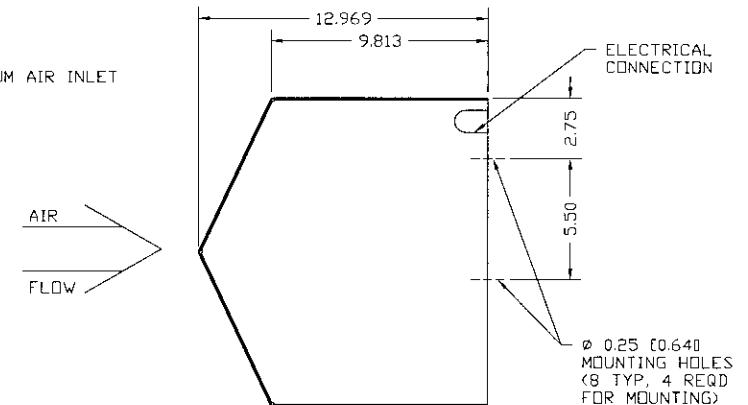
NOTES:

- ① AIR CURTAIN MUST BE INSTALLED SO AIR STREAM IS NOT OBSTRUCTED WHEN DEFLECTED 20° TO EITHER SIDE OF ϕ .
- ② ELECTRICAL CONNECTIONS ARE TO BE FLEXIBLE.
- ③ FIELD VERIFY DIMENSIONS.
- ④ ANCHORS TO SUPPORTING STRUCTURE TO BE SUPPLIED BY OTHERS.
- ⑤ ADEQUACY OF SUPPORTING STRUCTURE IS TO BE VERIFIED BY A PROFESSIONAL STRUCTURAL ENGINEER.

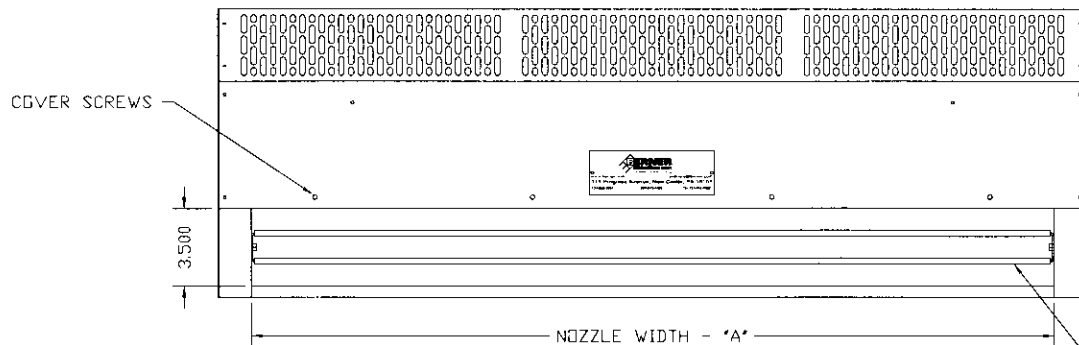
FRONT VIEW



END VIEW



BOTTOM VIEW



AIRFLOW

MODEL	NOZZLE "A"	MOUNTING "B"	MOUNTING "C"	OVERALL "D"
ST*1036A	36.00	33.50	37.50	39.00
STN1036A	[91.440]	[85.090]	[95.250]	[99.060]
ST*1042A	42.00	39.50	43.50	45.00
STN1042A	[106.680]	[100.330]	[110.490]	[114.300]
ST*1048A	48.00	45.50	49.50	51.00
	[121.920]	[115.570]	[125.730]	[129.540]
ST*1060A	60.00	57.50	61.50	63.00
STR2060A	[152.400]	[146.050]	[156.210]	[160.020]
STF1072A	72.00	69.50	73.50	75.00
ST*2072A	[193.040]	[176.530]	[186.690]	[190.500]

REPLACE "*" WITH "F" OR "R" FOR FRONT OR REAR DOOR. NSF CERTIFICATION APPLIES TO STN SERIES ONLY.

DWG. NO.	LWAS0064	TITLE:	BERNER
DATE	30DEC04		MODEL STAR AIR DOOR
BY	A.Johnston		AMBIENT
REPLACES			
BY			BERNER INTERNATIONAL CORP. NEW CASTLE, PA.