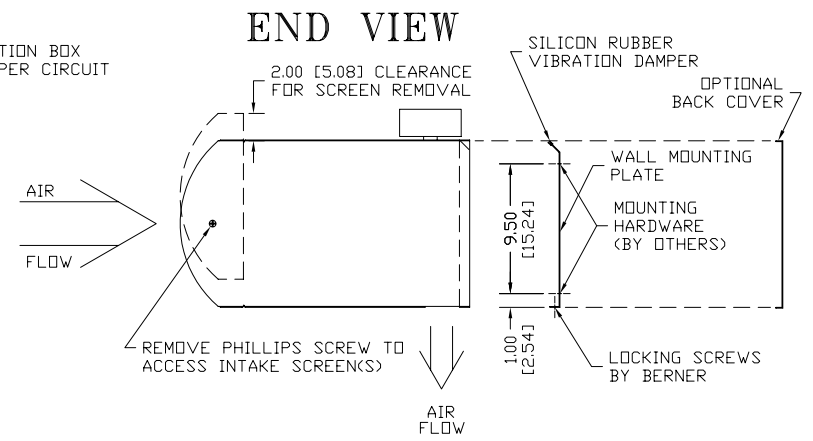
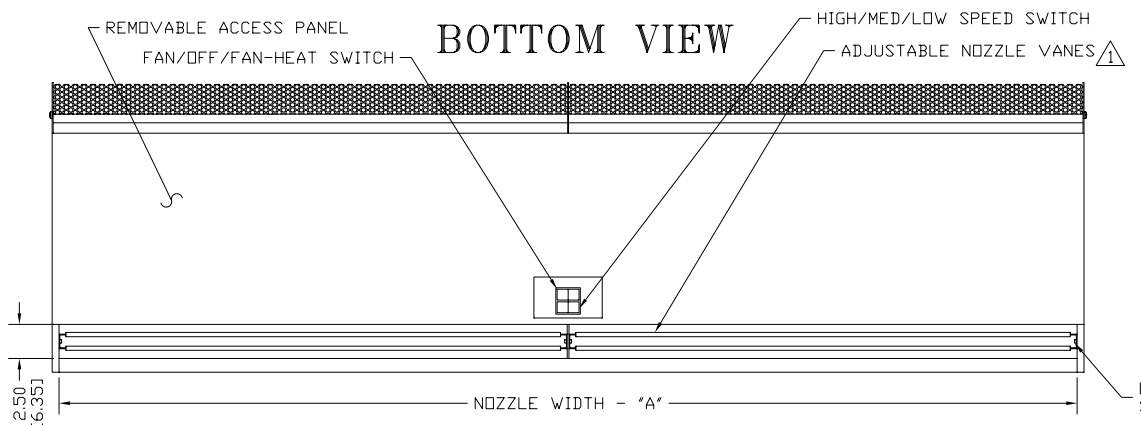
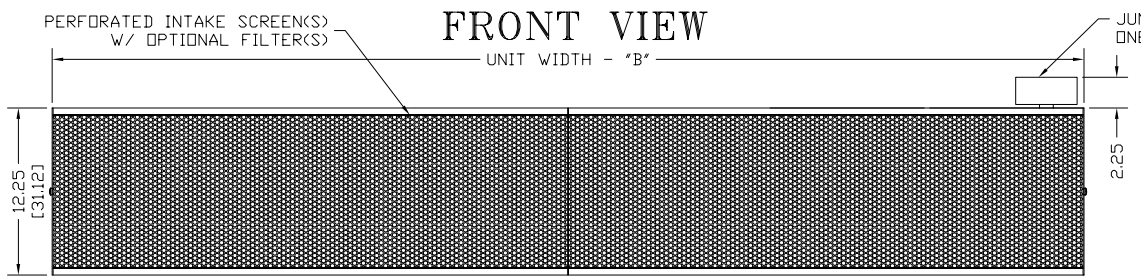
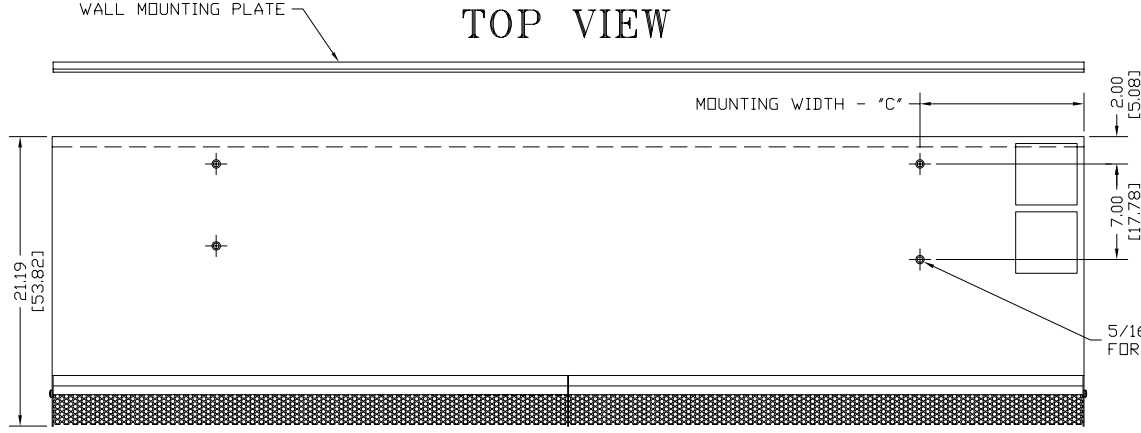


# MARK II ELECTRIC HEATED



## NOTES:

- ① AIR CURTAIN MUST BE INSTALLED SO AIR STREAM IS NOT OBSTRUCTED WHEN DEFLECTED 20° TO EITHER SIDE OF C.
- ② ELECTRICAL CONNECTIONS TO BE FLEXIBLE.
- ③ FIELD VERIFY DIMENSIONS.
- ④ ANCHORS TO SUPPORTING STRUCTURE BY OTHERS.
- ⑤ ADEQUACY OF SUPPORTING STRUCTURE IS TO BE VERIFIED BY A PROFESSIONAL STRUCTURAL ENGINEER.
- ⑥ LETTER "E" IN MODEL NUMBER DESIGNATES ELECTRIC HEAT.
- ⑦ DIMENSIONS IN INCHES [CENTIMETERS].

MODEL ⑥	ELECTRIC HEATER OUTPUT KW	NOZZLE WIDTH "A"	UNIT WIDTH "B"	MOUNTING WIDTH "C"
MK21036E	9.5	36.75 [93.35]	37.75 [95.89]	8.00 [20.32]
MK21042E	9.5	42.75 [108.59]	43.75 [111.13]	8.00 [20.32]
MK21048E	9.5	48.75 [123.83]	49.75 [126.37]	10.00 [25.40]
MK22048E	12.5	48.75 [123.83]	49.75 [126.37]	8.00 [20.32]
MK22060E	16	60.75 [153.31]	61.75 [156.85]	8.00 [20.32]
MK22072E	19	74.50 [189.23]	75.50 [191.77]	12.00 [30.48]
MK22084E	19	86.50 [219.71]	87.50 [217.17]	12.00 [30.48]
MK22096E	19	98.50 [250.19]	99.50 [252.73]	27.00 [68.58]
MK23096E	25	98.50 [250.19]	99.50 [252.73]	27.00 [68.58]
MK23108E	25 / 28.5	112.25 [285.12]	113.25 [287.66]	27.00 [68.58]
MK23120E	28.5	118.25 [300.36]	119.25 [302.90]	27.00 [68.58]

PROJECT		
LOCATION		
ARCHITECT		
ENGINEER		
DWG. NO.	MINU2855	TITLE: <b>BERNER</b>
DATE	30JAN06	MODEL MARK II AIR CURTAIN
BY	B. Peffer	ELECTRIC HEATED
REPLACES	04JAN06	
BY	A. Johnston	BERNER INTERNATIONAL CORP. NEW CASTLE, PA.