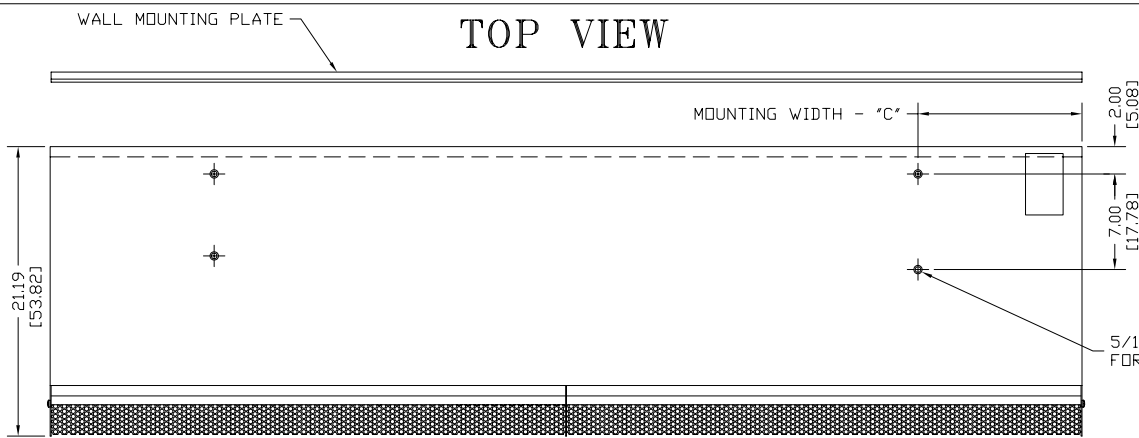
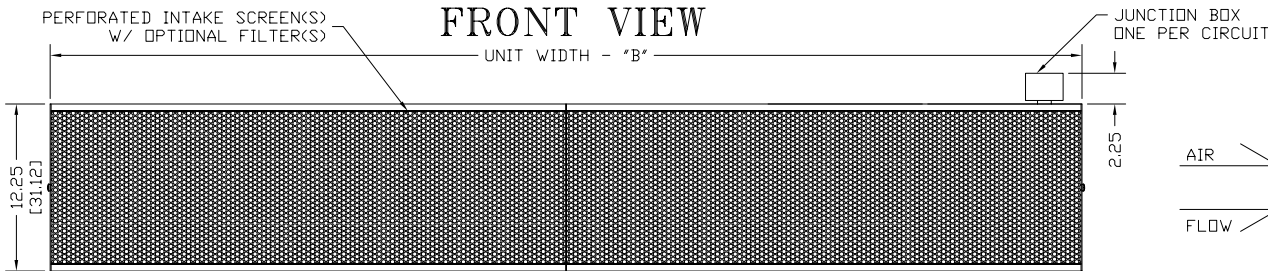


# MARK II AMBIENT SYSTEM

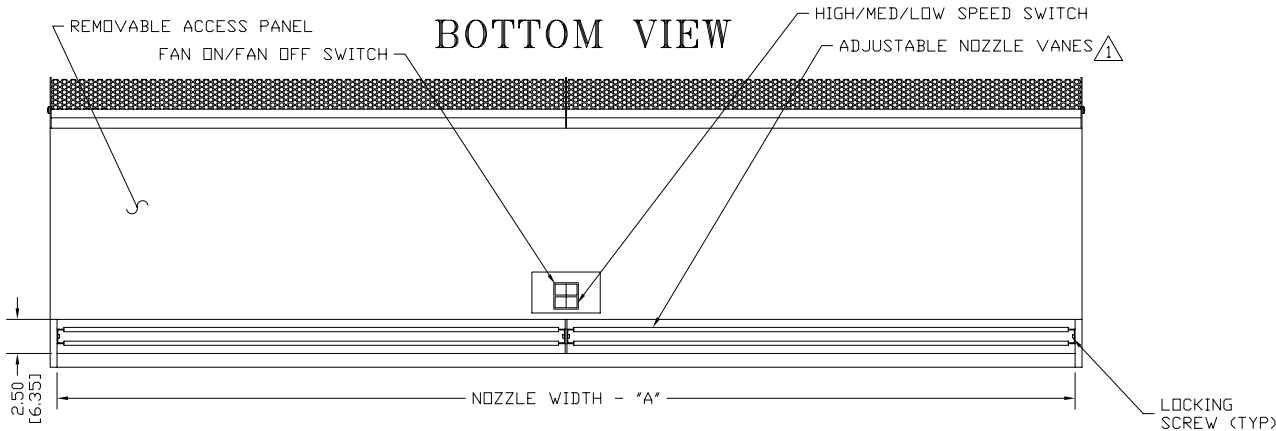
## TOP VIEW



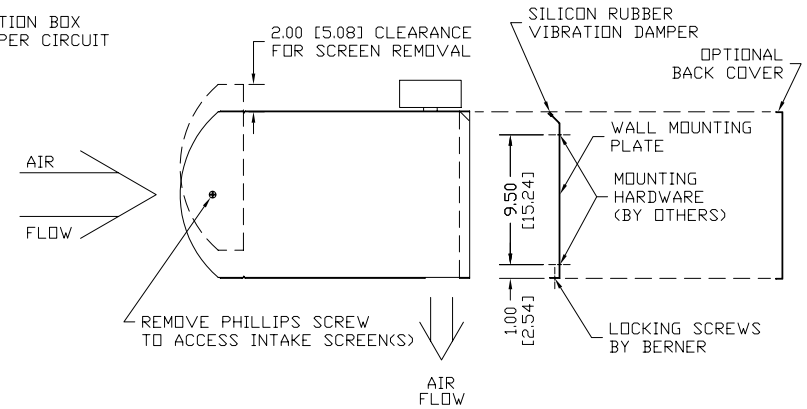
## FRONT VIEW



## BOTTOM VIEW



## END VIEW



## NOTES:

- ① AIR CURTAIN MUST BE INSTALLED SO AIR STREAM IS NOT OBSTRUCTED WHEN DEFLECTED 20° TO EITHER SIDE OF  $\text{C}$ .
- ② ELECTRICAL CONNECTIONS TO BE FLEXIBLE.
- ③ FIELD VERIFY DIMENSIONS.
- ④ ANCHORS TO SUPPORTING STRUCTURE BY OTHERS.
- ⑤ ADEQUACY OF SUPPORTING STRUCTURE IS TO BE VERIFIED BY A PROFESSIONAL STRUCTURAL ENGINEER.
- ⑥ LETTER "A" IN MODEL NUMBER DESIGNATES AMBIENT UNIT.
- ⑦ DIMENSIONS IN INCHES [CENTIMETERS].

MODEL <sup>⑥</sup>	NOZZLE WIDTH "A"	UNIT WIDTH "B"	MOUNTING WIDTH "C"
MK21036A	36.75 [93.35]	37.75 [95.89]	8.00 [20.32]
MK21042A	42.75 [108.59]	43.75 [111.13]	8.00 [20.32]
MK21048A	48.75 [123.83]	49.75 [126.37]	10.00 [25.40]
MK22048A	48.75 [123.83]	49.75 [126.37]	8.00 [20.32]
MK22060A	60.75 [153.31]	61.75 [156.85]	8.00 [20.32]
MK22072A	74.50 [189.23]	75.50 [191.77]	12.00 [30.48]
MK22084A	86.50 [219.71]	87.50 [217.17]	12.00 [30.48]
MK22096A	98.50 [250.19]	99.50 [252.73]	27.00 [68.58]
MK23096A	98.50 [250.19]	99.50 [252.73]	27.00 [68.58]
MK23108A	112.25 [285.12]	113.25 [287.66]	27.00 [68.58]
MK23120A	118.25 [300.36]	119.25 [302.90]	27.00 [68.58]

PROJECT		
LOCATION		
ARCHITECT		
ENGINEER		
DWG. NO.	MINU2854	TITLE: <b>BERNER</b>
DATE	30JAN06	MODEL MARK II AIR CURTAIN
BY	B. Peffer	AMBIENT SYSTEM
REPLACES	04JAN06	
BY	A. Johnston	BERNER INTERNATIONAL CORP. NEW CASTLE, PA.