

HCI "New" Terminator

INTEGRATED 100% PORT
BALL VALVE/UNION/READOUT PORT

MECHANICAL
SPECIFICATIONS



The **Terminator** by **HCI** combines the features of an isolation valve, union, and pressure/temperature readout port into a single unit. The full port design of the **Terminator** is favored by engineers because it minimizes terminal unit piping pressure drop, and the forged brass body insures reliable, leak-free performance.

The **Terminator** greatly simplifies the contractor's job by eliminating up to nine piping connections, thus saving time, money, and potential leak points. Finally, the **Terminator** requires only one third the space of the components it replaces, making tough piping jobs a snap.

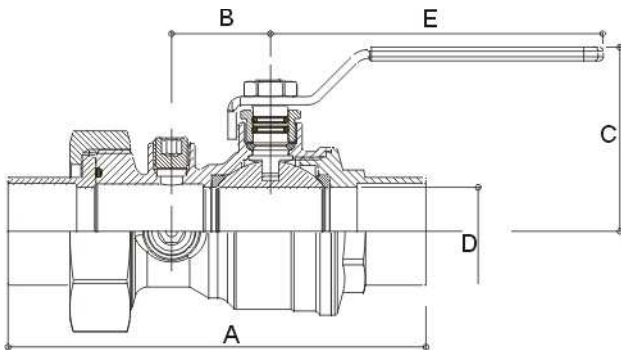
Pressure/ Temperature Ratings:

1/2" - 3/4": 600 PSI WOG Non - Shock
1" - 2": 500 PSI WOG Non - Shock
All Sizes: 300 Deg. F. Maximum

Optional Accessories:

- Drain Valve - Handle Extension - Air Vent - Memory Stop
- PT/Port Accessory/Extension - Red Aluminum T-Handle
Stainless Steel Round Handle - Flexible Hose Connectors

Dimensional Information & Material Specifications:



Model #	Size	A	B	C	D	E	Cv*
NT-AFF	1/2"	4.07	1.26	1.53	0.59	2.95	20.25
NT-ACC	1/2"	4.13	1.26	1.53	0.59	2.95	20.25
NT-BFF	3/4"	4.35	1.26	1.93	0.79	3.74	41.83
NT-BCC	3/4"	4.80	1.26	1.93	0.79	3.74	41.83
NT-CFF	1"	5.00	1.42	2.40	1.00	4.73	78.38
NT-CCC	1"	5.45	1.42	2.40	1.00	4.73	78.38
NT-DFF	1-1/4"	5.42	1.42	2.59	1.25	4.72	132.10
NT-DCC	1-1/4"	5.98	1.42	2.59	1.25	4.72	132.10
NT-EFF	1-1/2"	6.16	1.73	3.22	1.57	4.72	206.96
NT-ECC	1-1/2"	7.03	1.73	3.22	1.57	4.72	206.96
NT-FFF	2"	6.79	1.73	3.50	2.00	5.90	346.00
NT-FCC	2"	7.93	1.73	3.50	2.00	5.90	346.00

Note: The Cv factor is the flow rate, in GPM through the valve at a 1 PSID.

← Direction of Flow →

Connection Availability:

Body End:	Female NPT	1/2" thru 2"
	Copper SWT	1/2" thru 2"
Tailpiece End:	Female NPT	1/2" thru 2"
	Male NPT	1/2" thru 2"
	Copper SWT	1/2" thru 2"
Tailpiece End	Female NPT	3/4" thru 2"
W/One Size	Male NPT	3/4" thru 2"
Reduction:	Copper SWT	3/4" thru 2"
Tailpiece End	Female NPT	1" thru 2"
W/Two Size	Male NPT	1" thru 2"
Reductions:	Copper SWT	1" thru 2"

Valve Body:	Hot Forged Brass
Ball:	Chrome Plated/Hot Forged Brass
Stem:	Extruded Brass
Union:	Hot Forged Brass
Tailpiece:	Hot Forged Brass
Readout Port Body & Cap:	Extruded Brass
Gland Nut:	Extruded Brass
Lever Handle:	Dacromet Coated Steel w/PVC Grip
Lever Nut:	Dacromet Coated Steel
Seats & Packing:	Virgin PTFE
O-Rings:	Viton
Readout Port Seal:	Nordel

Typical Specifications:

Furnish and install where indicated on plans **Terminator** integrated terminal unit accessory valves as provided by **Hydronic Components, Inc.** Valves shall be rated for 600 PSI WOG service, (1/2"-3/4") and 500 PSI WOG service (1"-2"). Valves shall be provided complete with 100% port isolation valve chrome plated ball and repackable blowout-proof triple seal stem, O-ring type union, and P/T port integrated into a common forged brass body.

JOB: _____ ENGINEER: _____
REP: _____ CONTRACTOR: _____

HCI

innovative hydronic components and accessories for the HVAC industry.
7243 Miller Drive - Suite 200 - Warren, MI 48092 Phone: 1-800-313-HVAC Fax: 1-866-340-0991

HCI-22/1-08

This specification is provided for reference only. HCI reserves the right to change any portion of this specification without notice and without incurring obligation to make such changes to HCI products previously and subsequently sold.