

Micro Precision Venturi Valve



V VCR Series Cage Rack Venturi Air Valve

Features & Benefits

- 4 & 6 Inch Valves
- Fully pressure independent
- Factory calibrated flow
- Field Adjustable
- Compact design for easy installation
- Aluminum Standard
- Stainless Steel Available
- Constant Flow Control
- Linear Control
- Low Pressure Drop

Overview

TRIA TEK's Micro Precision Venturi Valve combines a factory-calibrated, field tunable flow rate setting with a mechanical, pressure-independent flow regulator to meet the unique requirements of ventilated cage rack connections to building ventilation systems.

Precise airflow control the flow rate controller assembly is factory-calibrated to a precise constant volume flow setpoint.

Easy-to-use manual setting mechanism allows simple field adjustments of the airflow setpoint to modify the cage rack flows as required.

Self-balancing pressure independent operation the cage rack valve automatically compensates for system static pressure fluctuations to maintain airflow at the setpoint.

Simple operation the valve

requires no electrical power or pneumatics to operate, nor are there any flow probes. This simplifies the operation and installation, plus eliminates maintenance.

All TRIA TEK valves maintain a constant airflow over a range of 0.6 to 3 inches of water gauge static pressure across the valve. As the static pressure increases, the internal spring compresses to maintain a constant volume of air. Likewise, as the static pressure decreases, the internal spring expands and moves the cone to increase the annular area, thus maintaining a constant volume.

This valve in its normal operating mode is pressure independent so that flow is constant based on specific actuator positions. Flow control using the Venturi is linear over most of its

control range.

TRIA TEK's Micro Precision Series Venturi Valve is available in aluminum and stainless steel materials. Where corrosion resistance is required, specify stainless steel model.

Applications

- Laboratories
- Flow Control
- Pressure Control



2976 Pacific Drive, Norcross GA 30071 • phone 770-242-1922 fax 770-242-1944 • <http://www.triatek.com>

Due to continuous product improvement, TRIA TEK reserves the right to change product specifications without notice.

Specifications

Construction

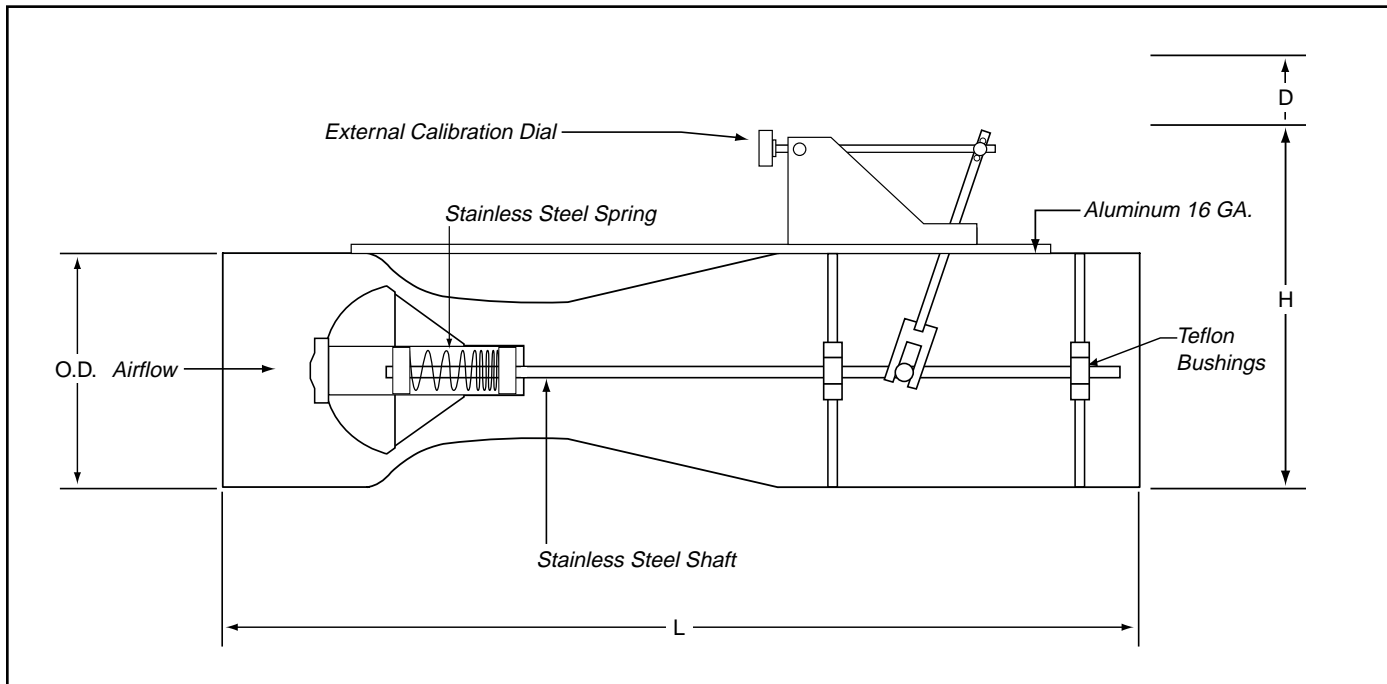
16ga. Spun aluminum valve body with continuous welded seam
 Available with corrosion resistant Heresite coating
 Stainless steel shaft- Standard on all valves
 Composite Teflon Bushing
 External Calibration Dial for field adjustment -Standard on all valves
 Available 304 Stainless Steel valve body with continuous weld
 Available 316 Stainless Steel valve body with continuous weld
 Aluminum thickness060"
 Stainless Steel thickness040"

Performance

Pressure independent (.6 - 3.0" wc) drop across the length of the valve
 Volume control accurate to $\pm 5\%$ of airflow setting
 Available in flows from 20 - 250 CFM
 Available in 4" and 6" duct sizes
 One second or less response time to changes in duct static pressure.

Dimensions (Inch)			
Unit Size	O.D.	L.	H.
4"	3.88	11.36	10
6"	5.63	19.50	12

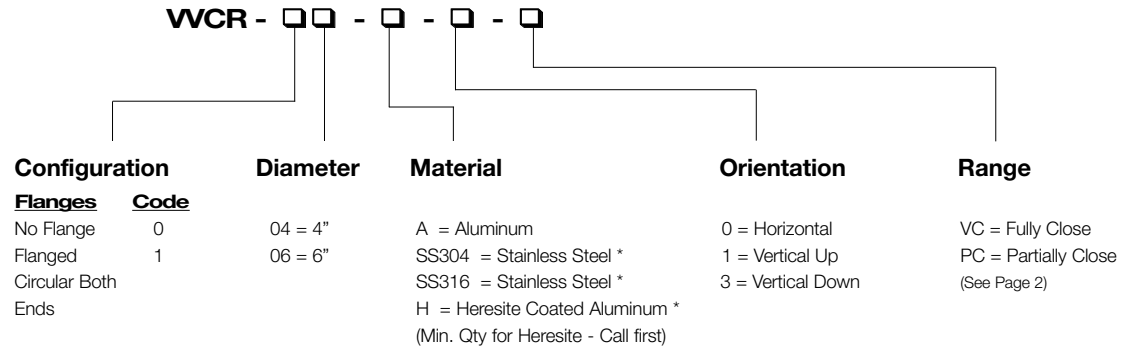
UNIT SELECTION TABLE		
Valve Size	CFM Range 1	
	Min	Max
4	20	200
6	30	250



2976 Pacific Drive, Norcross GA 30071 • phone 770-242-1922 fax 770-242-1944 • <http://www.triatek.com>

Due to continuous product improvement, TRIATEK reserves the right to change product specifications without notice.

Ordering Instructions



2976 Pacific Drive, Norcross GA 30071 • phone 770-242-1922 fax 770-242-1944 • <http://www.triatek.com>

Due to continuous product improvement, TRIATEK reserves the right to change product specifications without notice.