

**FP-AYR
Air Flow
Measuring Probe**

*Features
& Benefits*

- Low Pressure Loss
- Self Cleaning
- Easy Installation
- Good Flow Characteristics
- Double Support Mounted

Applications

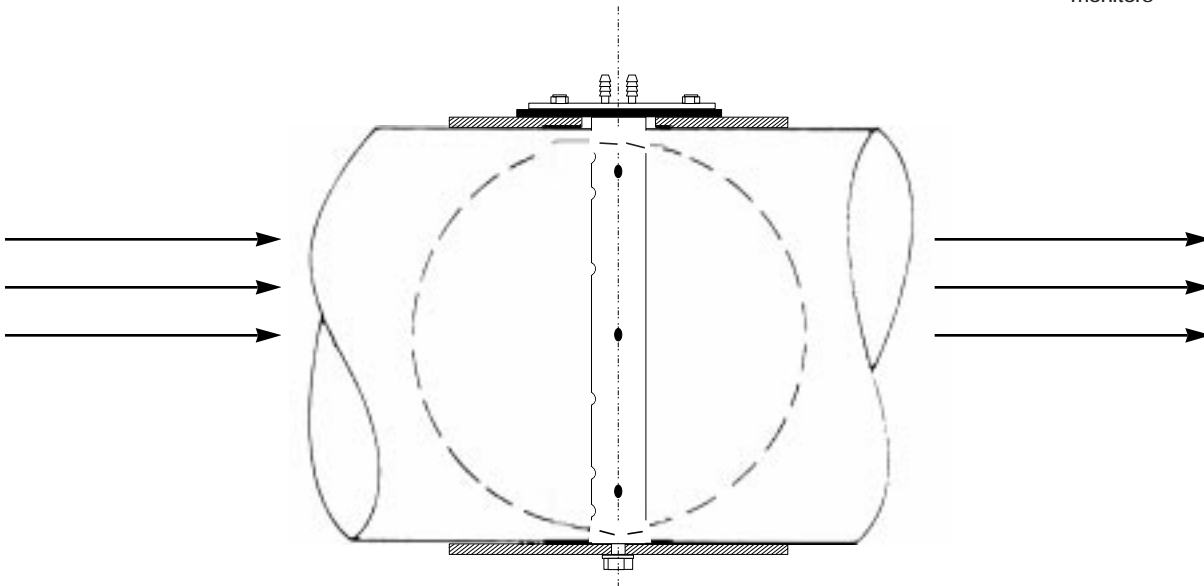
- Air • Gas
- High-Velocity
- High Accuracy

Related Products

- LDPT-200 Series pressure to analog transducer
- FMS-1400 Series fan tracking system
- FMS-1600 Series room isolation monitors

Overview

TRIATEK's FP Series insertion type flow probes offer great accuracy and ease of installation to the user. These probes are made of anodized aluminum 6063-T3 for long life, long term repeatability and low maintenance. They can be used for measurement of air and gases. The unique design gives precise measurements while minimizing turbulence and line noise. The design also provides for low pressure drop.



2976 Pacific Drive, Norcross GA 30071 • phone 770-242-1922 fax 770-242-1944 • <http://www.ttk.com>

Due to continuous product improvement, TRIATEK reserves the right to change product specifications without notice.

Specifications

New Ellipse Shape

- Flow boundary layers attached to the probe's surface, no separation effects on the low (static) pressure
- Turndown ratio of 17/1; no vacuum effects
- Very high repeatability
- No vortex generation
- Lowest drag coefficient
- Lowest pressure loss in the industry
- Provides best possible accuracy in a single unit

Mechanical

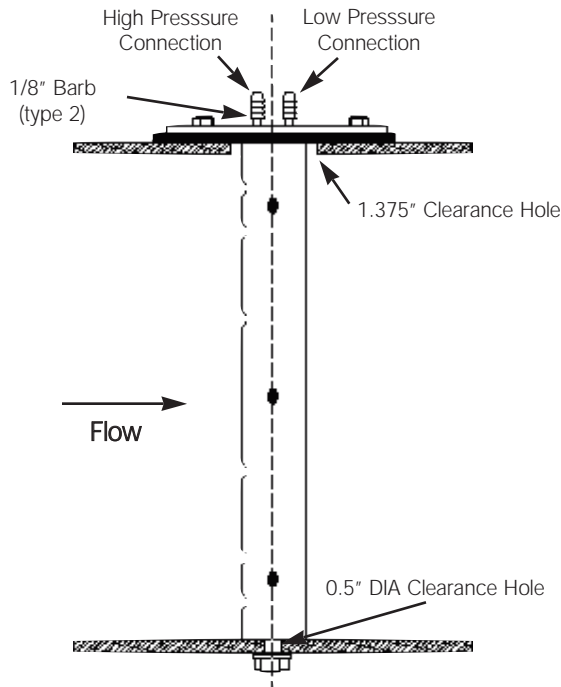
- Duct Size 6" to 120"
- Maximum Pressure 20 PSIG
- Maximum Temperature 250°F
- Accuracy ± 2%
- Repeatability 0.25%
- Velocity Range 600-6000 FPM
- Material Anodized Aluminum 6063-T3
- Instrument Connections 1/8" Barb - Brass
- Optional 1/8" Compression

Ordering Instructions

FP- □□□□ - □ - AYR

0800 = 8"	1800 = 18"	2800 = 28"	3800 = 38"
1000 = 10"	2000 = 20"	3000 = 30"	4000 = 40"
1200 = 12"	2200 = 22"	3200 = 32"	4200 = 42"
1400 = 14"	2400 = 24"	3400 = 34"	4400 = 44"
1600 = 16"	2600 = 26"	3600 = 36"	4600 = 46"

R = Round Duct
F = Square or Rectangular Duct



2976 Pacific Drive, Norcross GA 30071 • phone 770-242-1922 fax 770-242-1944 • <http://www.ttk.com>

Due to continuous product improvement, TRIATEK reserves the right to change product specifications without notice.